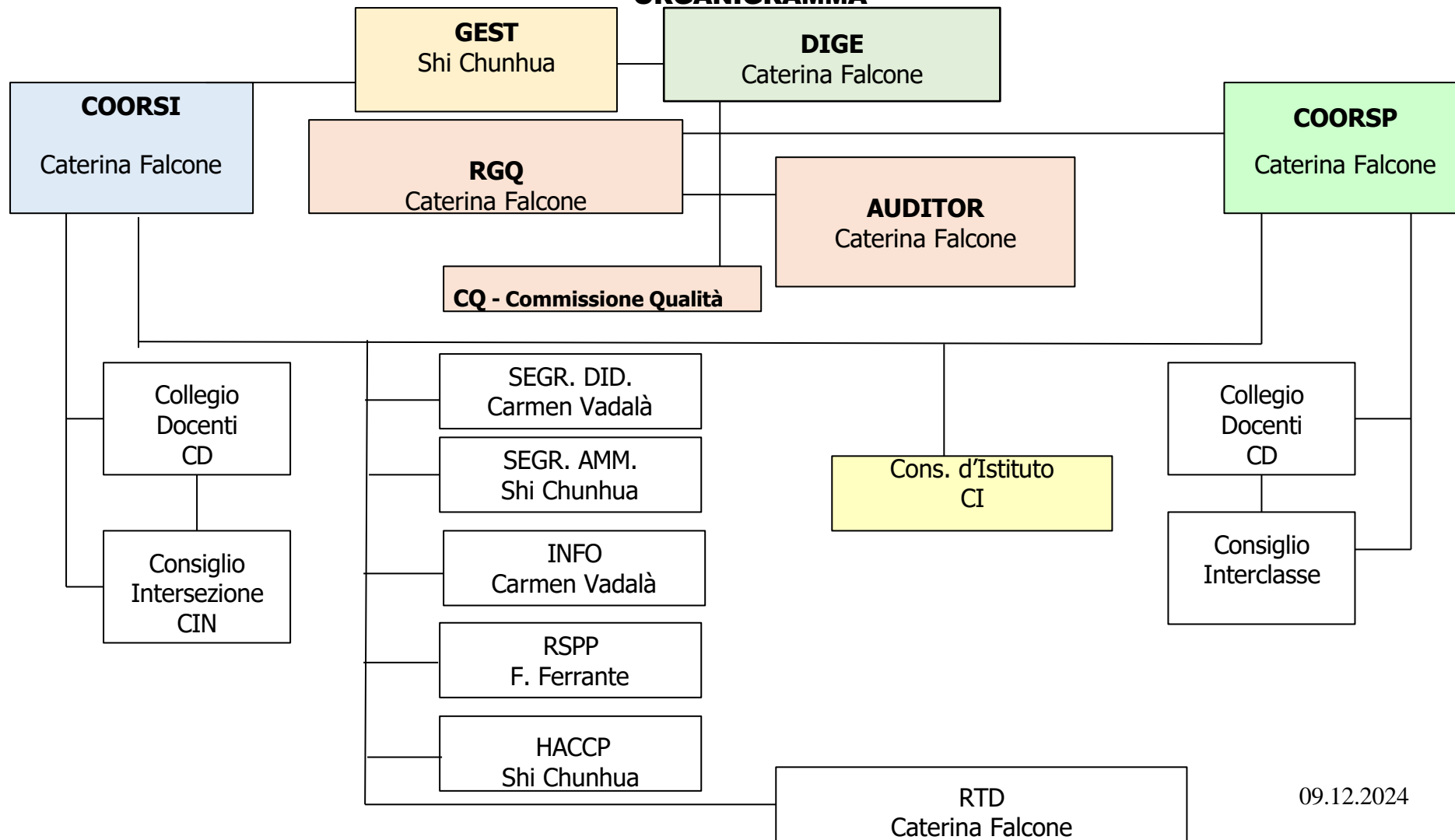




Via Sbarre Centrali, 71 – 89133 Reggio Calabria
 Tel: 0965 57496 – Cell. 3299746724
 e-mail istsuore.caterinatroiani@gmail.com
 website www.istitutocaterinatroiani.it
 C.M. Infanzia RC1A077008
 C.M. Primaria RC1E00700X
 C.F. 02500290586



ORGANIGRAMMA



09.12.2024