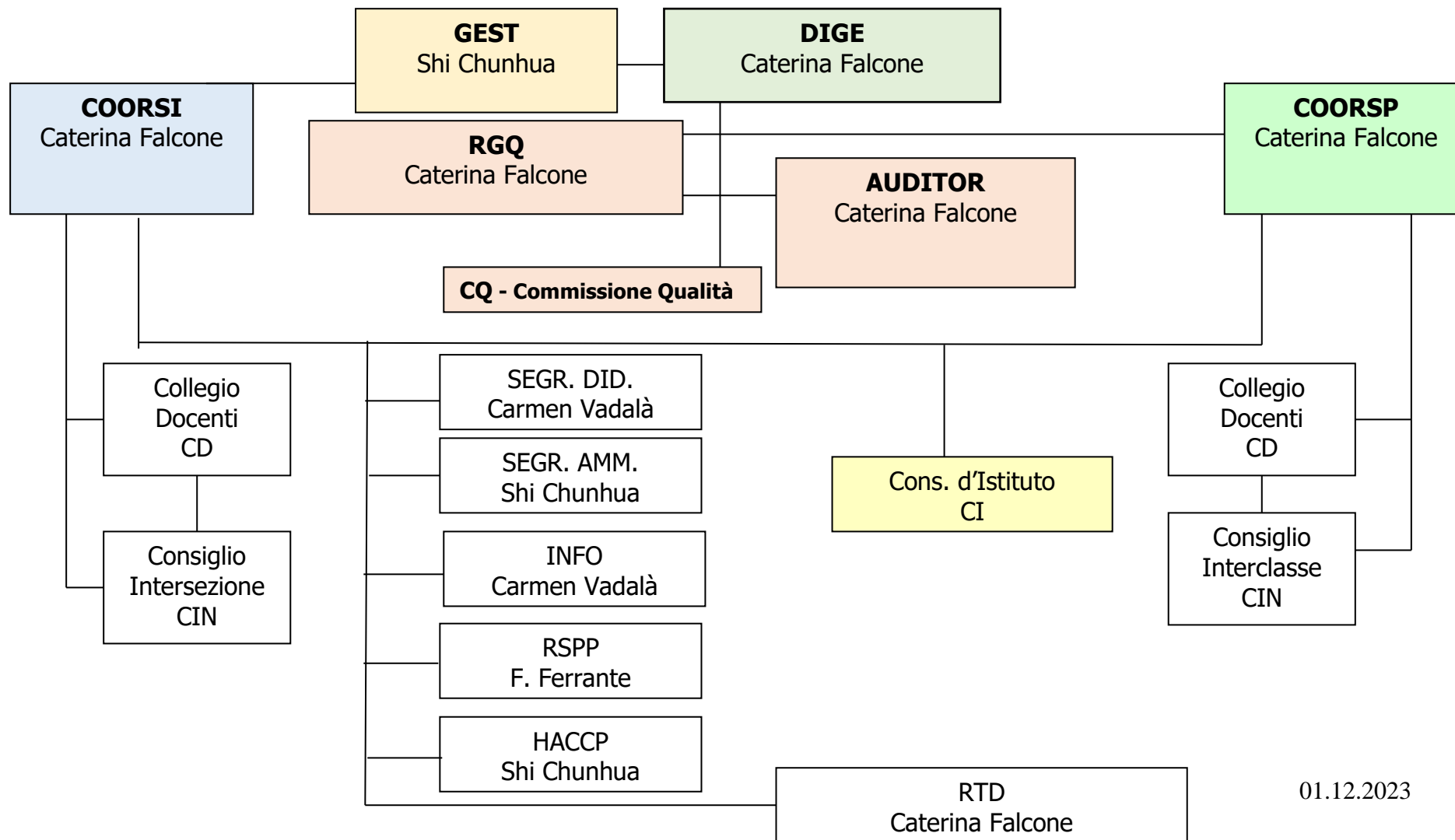




Via Sbarre Centrali, 71 – 89133 Reggio Calabria  
 Tel: 0965 57496  
 e-mail [istsuore.caterinatroiani@gmail.com](mailto:istsuore.caterinatroiani@gmail.com)  
 website [www.istitutocaterinatroiani.it](http://www.istitutocaterinatroiani.it)  
 C.M. Infanzia RC1A077008  
 C.M. Primaria RC1E00700X  
 C.F. 02500290586



### ORGANIGRAMMA



01.12.2023